

ProFace X(DS)

Advanced Accuracy Facial Recognition Terminal
powered by Dual Spectrum Facial Recognition Technology

Compatible with
 ZKBioSecurity



ProFace X(DS)



ProFace X(CH/DS)

ProFace X(DS) is a top-notch model of the ProFace X series, along with the series legacy, which is robustly built and reaches IP68 water and dust protection level and IK04 vandal resistance standard. "DS" is named because, this is the first product equipped with a state-of-the-art ZKTeco Dual Spectrum Facial Recognition Algorithm, which intelligently combines near-infrared and visible light facial recognition technology together to make up a deficiency by the surplus and reached a new height of facial recognition performance in all aspects, especially supporting all human races. It's also greatly enhanced its facial recognition performance to tackle all extreme lighting conditions. From dark light (as low as 0 lux) to extremely strong light (100,000 lux) the facial recognition performance is still as good as under normal sunlight in terms of recognition speed, accuracy, distance and pose angle tolerance.

ProFace X(DS) is powered by the ZKTeco-customized computer vision CPU for running the ZKTeco Dual Spectrum Facial Recognition Algorithm, compared with the previous ProFace series, this new technology has improved the accuracy of facial recognition by 26% and can work with everyone. It supports facial verification when people are walking or running, with large capacity and rapid recognition speed. Also, the facial camera support scramble QR code with Mobile APP, as well as improves security performance in all aspects. The ProFace X(DS) series offers masked individual identification and mask detection, that helps eliminate hygiene concerns with the contactless recognition technology.

Features

- ZKTeco Dual Spectrum Facial Recognition intelligently combined Near-Infrared and Visible Light technology
- Darklight Facial Recognition without LED Flash
- Ultra-large capacity of facial templates; 1:N - 30,000 facial templates (standard), maximum 1:N - 50,000 facial templates (optional)
- Rapid facial recognition within 0.3s
- Works with everyone and improved the accuracy of facial recognition by 26%
- Anti-spoofing algorithm against print attack (laser, color and B/W photos), videos attack, and 3D mask attack
- IP68 dust-proof and waterproof standard and IK04 protection standard
- 2MP starlight CMOS sensor camera with WDR function, which enables the terminal to recognize faces under extreme lighting conditions (0 – 100,000 lux)
- Mask detection; facial recognition available with masks
- Supports static QR code and scramble / dynamic QR code with ZKBioSecurity Mobile APP (optional)

* Facial recognition for masked individuals will increase FAR.

* ProFace X (DS) comes standard with 100,000 lux light intensity hardware, and supports optional 50,000 lux light intensity hardware

Dual Spectrum Facial Recognition

Combined Near-Infrared and Visible Light Facial Recognition Technology



Specifications (GL Exclusive Feature)

Capacity

- GL Faces 30,000 (1:N)
50,000 (Optional)
- Users / Cards 50,000
- QR Code 50,000 (Static / Dynamic)
- GL Transactions 1,000,000
2,000,000 (Optional)
- User Photos 10,000
- Event Photos 7,500

Compatibility

Security Relay Box
Wiegand (IC / ID) / RS485 Slave Reader with FP / RFID
RS232 External Printer
ZKBioSecurity Software
ZSmart App

Standard Functions

Access Levels, Groups, Holidays, DST, Duress Mode (Password), Anti-Passback, Record Query, Custom Wallpaper & Screen Saver, Tamper Switch Alarm

Hardware

- GL 1.2GHz Quad-core Customized Computer Vision CPU
- GL 1GB RAM / 8G Flash
- 8" High light Touch LCD
- GL 125KHz EM / 13.56MHz MF (Optional)
- 2MP WDR Low Light Camera
- Adjustable Light Brightness LED
- Hi-Fi Voice
- Receiver Sensitivity Microphone
- Reset Button and Tamper Switch

Special Functions

- GL IP68 & IK04
- GL 0.3s High Speed Face Verification
- Live Face Detection
- Https communication Encrypted (optional)
- GL Event Snapshot
- GL Works with everyone
- GL Dual Spectrum Facial Recognition
- Compatible with all ZKTeco's Visible Light Facial Recognition facial templates

Access Control Interface

Lock Relay Output
Alarm Output / Auxiliary Input
Exit Button / Door Sensor

Communication

TCP/IP
Wiegand Input / Output
Wi-Fi (Optional)
RS485 / RS232

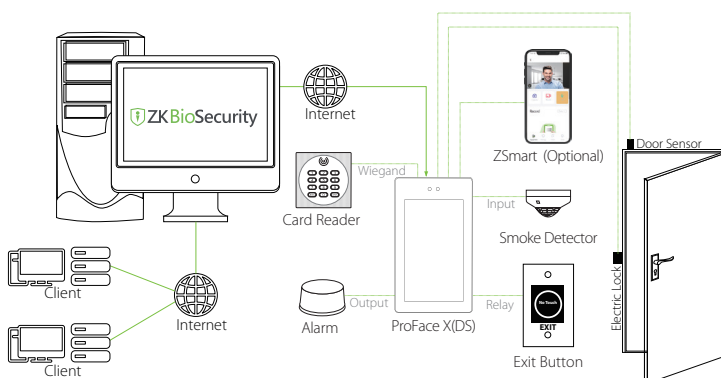
Additional Info

Face Algorithm: ZKLiveFace5.95
Operating Temperature: -20°C to 55°C, (-4°F~ 131°F)
Working Humidity: ≤90%
Storage Temperature: -25°C to +65°C
Storage Humidity: ≤93%
Dimensions (H*L*D): 227*143*26mm
Supports QR Code (Statics / Dynamic) as an option

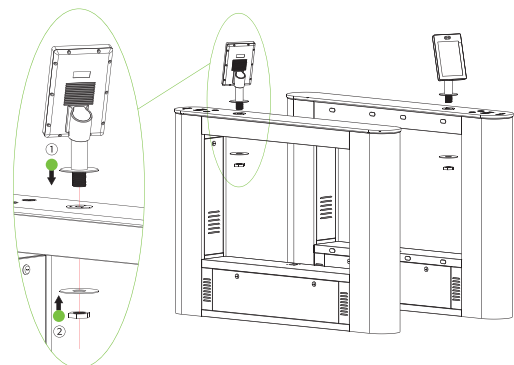
Power

Operating Voltage 12V DC
Current Draw < 3,000mA

Configuration

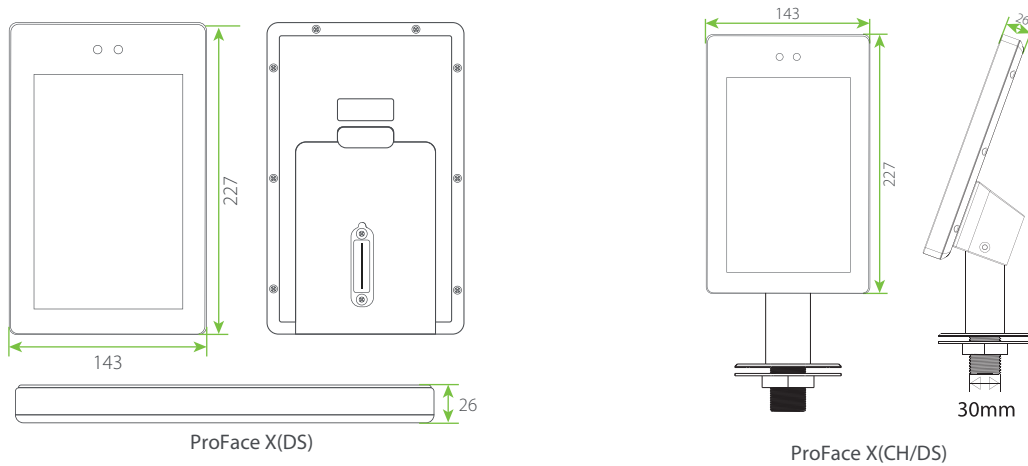


ProFace X(DS)



ProFace X(CH/DS)

Dimensions (mm)



Comparison

Model	ProFace X	ProFace X(SL)	ProFace X(DS)
OS System	Linux		
Platform	ZAM170 / ZAM180	ZAM170	ZAM200
Display	8-inch Touch Screen		
Verification Mode	Face+Card+Palm+QR Code	Face+Card	Face+Card+QR Code
User Capacity	50,000		
Face Capacity	30,000(1:N), 50,000 (Optional)		
Palm Capacity	5000	N/A	N/A
Card Capacity	50,000	50,000 (Optional)	50,000
QR Code Capacity	50,000 (Dynamic)	/	50,000 (Statics / Dynamic)
RFID Function	Standard ID Card, IC Card Optional	IC Card optional	Standard ID Card, IC Card Optional
Transactions	1,000,000 (Optional 2,000,000)		
Standard Functions	Access Levels, Groups, Holidays, DST, Duress Mode (Password), Anti-Passback, Record Query, Tamper Switch Alarm, Custom Wallpaper & Screen Saver		
Hardware	900MHz Dual Core Customized Computer Vision CPU Distance Detection Sensor		1.2GHz Quad-core Customized Computer Vision CPU
	1GB RAM / 8G Flash, 2MP WDR Low Light Camera, Adjustable Light brightness LED, Hi-Fi Voice, Receiver sensitivity Microphone, Reset Button and Tamper Switch		
Communication	TCP/IP, Wiegand Input / Output , Wi-Fi (Optional) , RS485 / RS232		
Access Control Interface	Lock Relay Output, Alarm Output / Auxiliary Input, Exit Button / Door Sensor		
Special Functions	IP68 & IK04, 0.3s Rapid Facial Verification, Liveness Detection, HTTPS Communication Encryption, Event Snapshot		
Additional Info	Working Temperature: -30°C to 60°C, (-22°F to 140°F) Working Humidity: ≤93% Storage Temperature: -40°C to +65°C Storage Humidity: ≤93%		Working Temperature: -20°C to 55°C, (-4°F to 131°F) Working Humidity: ≤90% Storage Temperature: -25°C to +65°C Storage Humidity: ≤90%
Power	Voltage: DC 12V, Current: Max. 3A		
Algorithms	ZKLiveFace5.6 (ZAM170) ZKLiveFace5.8 (ZAM180)	ZKLiveFace5.8	ZKLiveFace5.95
	ZKPalm V12.0	/	/
Dimensions (H*L*D)	227*143*26mm		
Software	ZKBioSecurity		
Mobile App	Zsmart	/	Zsmart

